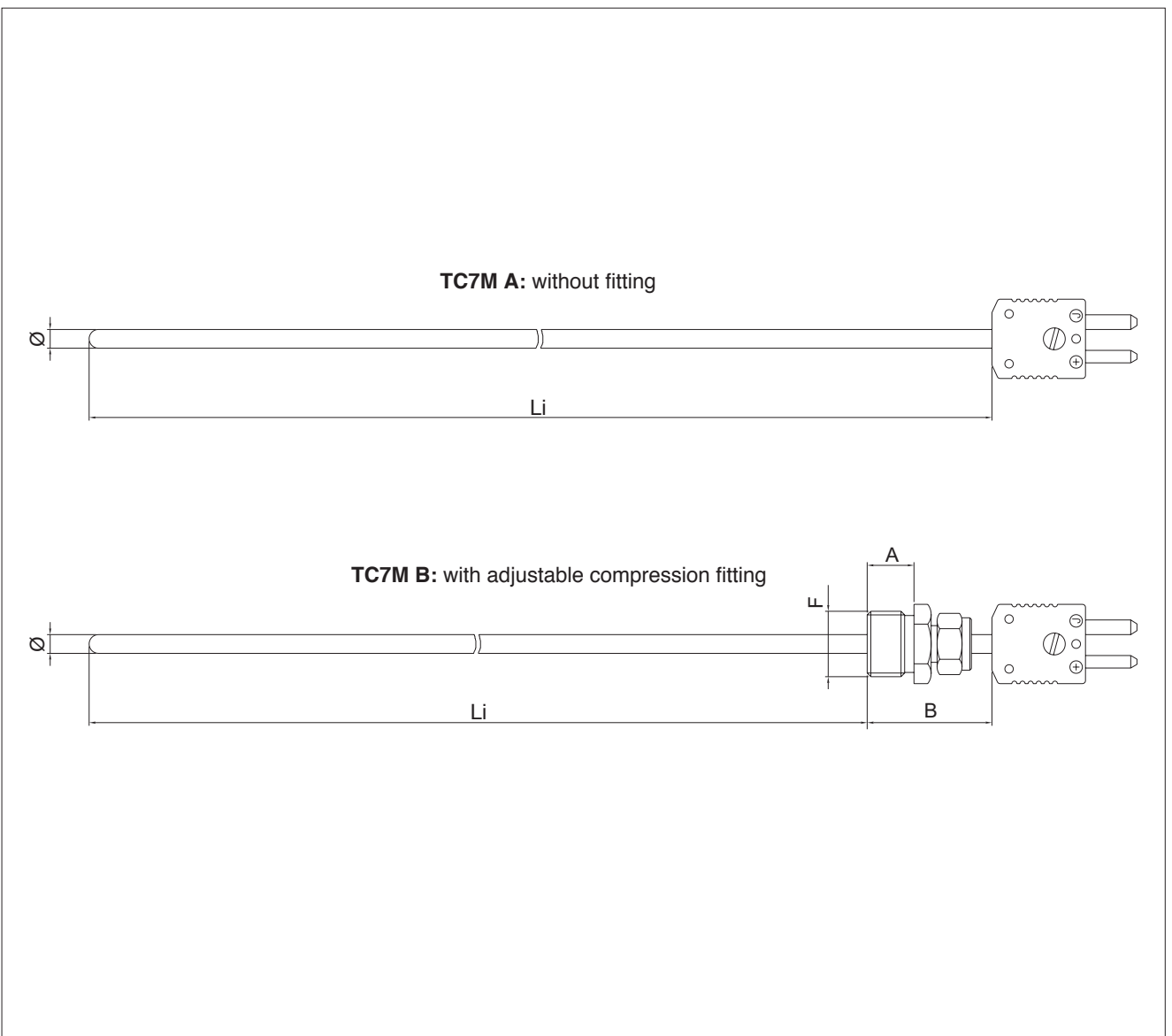


### Main features

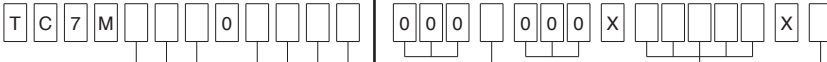
- Temperature limits:
  - 40 ... + 310° C for type T
  - 40 ... + 550° C for type J
  - 40 ... + 600° C for type E
  - 40 ... + 1050° C for type K
 (see table for sheath diameters)
- Tolerance (IEC standard 584.2/Class 1):
  - for type T:  $\pm 0,5^{\circ} \text{C}$  (- 40 ... + 125° C)
  - $\pm 0.004 [t]$  ( $t > + 125^{\circ} \text{C}$ )
  - for type J, E, K:  $\pm 1.5^{\circ} \text{C}$  (- 40 ... + 375° C)
  - $\pm 0.004 [t]$  ( $t > + 375^{\circ} \text{C}$ )
- Mineral insulated (MgO) thermocouple element and continuous metal sheath
- Application versatility

### MODELS



# ORDER CODE

CODE



Model	
Without fitting	A
With adjustable compression fitting	B

Element + Hot Junction	
Single Insulated	1
Single Grounded	2
Double Insulated	3
Double Grounded	4

Thermocouple Type	
Fe - Cu/Ni	J
Ni/Cr - Ni/Al	K
Cu - Cu/Ni	T*
Ni/Cr - Cu/Ni	E

(\*) Single element only available

Sheath Material	
AISI 316	C*
INCONEL 600	F**

(\*) Available for T, J, E models only

(\*\*) Available for K model only

Sheath Diameter (mm)	
1	B*
1.5	C*
2	D*
3	E
4.5	G
6	I
8	J**

(\*) Single element only available

(\*\*) Available for J and K model only

Connection Thread *	
1/8" GAS "A"= 10mm	A
1/4" GAS "A"= 12mm	B
3/8" GAS "A"= 15mm	C
1/2" GAS "A"= 15mm	D
1/8" NPT	G
1/4" NPT	H
3/8" NPT	I
1/2" NPT	J

(\*) To be shown for B model only

Connection Material *	
Nickel-Plated Brass	1
300 Series Stainless Steel	2

(\*) To be shown for B model only

Certificates	
A	Conformity Report

## LENGTHS AND ACCESSORIES

### Li = Immersion Length (mm)

Standard length from 100 to 2000mm with 100mm step and from 2000 to 10000mm with 500mm step

Type connector	
A	Standard male
B	Standard male + female
* D	Mignon male
* E	Mignon male + female

(\*) Available with 2mm max. sheath  $\phi$

## Mechanical Dimensions of Mount (F)

MOUNT (F)	A (mm)	B (mm)
G 1/8	10	35
G 1/4	12	35
G 3/8	15	40
G 1/2	15	40
1/8 NPT	11	35
1/4 NPT	16	40
3/8 NPT	16	40
1/2 NPT	20	45

## Availability of Mounts /Sheathing Diameter

Mount (F)	$\phi 1$	$\phi 1,5$	$\phi 2$	$\phi 3$	$\phi 4,5$	$\phi 5$	$\phi 6$	$\phi 8$
G 1/8	x	x	x	x	x	x	x	-
G 1/4	-	-	x	x	x	x	x	x
G 3/8	-	-	-	x	x	x	x	x
G 1/2	-	-	-	-	-	x	x	x
1/8 NPT	x	x	x	x	x	x	x	-
1/4 NPT	-	-	x	x	x	x	x	x
3/8 NPT	-	-	-	x	x	x	x	x
1/2 NPT	-	-	-	-	-	x	x	x

GEFRAN spa reserves the right to make any kind of design or functional modification at any moment without prior notice